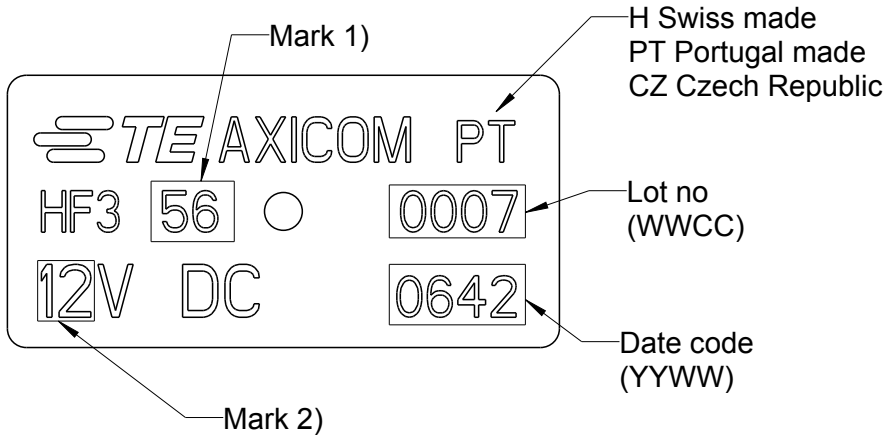


| LOC | DIST | REVISIONS | | | | | |
|-----|------|-----------|-----|---------------------------------------|-----------|-----|------|
| | | P | LTR | DESCRIPTION | DATE | DWN | APVD |
| HJ | - | | C1 | ECR-14-007162 (Packaging information) | 13OCT2015 | AP | AK |
| | | | C | REVISED PER ECO-13-009645 | 18JUN2013 | UKo | AK |
| | | | B3 | New HF3 91R, HF3 93R, HF3 96R | 12JAN2012 | UKo | BK |
| | | | B2 | Printing, new HF3 53RS | 09JUL2010 | UKo | HD |



Packaging data code (Box, bag, reels):
 P(YWWDSL)000
 Shipping data code:
 YYWW

P - Product code (9 to HF relay)
 Y(Y) - Year (last digit for packaging)
 WW - calendar week (from date code)
 D - Day of the week (1=Sat,.....and 7=Fri)
 S - Shift (1=day shift, 2 night shift)
 L - Production Line
 C - Weekly sequential number
 000 - For internal use

| Pos. | Relay-Typ | Mark 1) | Mark 2) | PN |
|------|-----------|---------|---------|-------------|
| 1 | HF3 51 | 51 | 3 | 1462051-1 |
| 2 | HF3 51S | 51S | 3 | 3-1462051-0 |
| 3 | HF3 52 | 52 | 4.5 | 1-1462051-6 |
| 4 | HF3 52S | 52S | 4.5 | 2-1462051-8 |
| 5 | HF3 53 | 53 | 5 | 1462051-2 |
| 6 | HF3 53RS | 53RS | 5 | 3-1462051-3 |
| 7 | HF3 53S | 53S | 5 | 2-1462051-3 |
| 8 | HF3 54 | 54 | 6 | 1-1462051-7 |
| 9 | HF3 55 | 55 | 9 | 1462051-3 |
| 10 | HF3 56 | 56 | 12 | 1462051-4 |
| 11 | HF3 56S | 56S | 12 | 3-1462051-1 |
| 12 | HF3 57 | 57 | 24 | 1462051-5 |
| 13 | HF3 57S | 57S | 24 | 2-1462051-2 |
| 14 | HF3 71 | 71 | 3 | 1462051-6 |
| 15 | HF3 72 | 72 | 4.5 | 1-1462051-8 |
| 16 | HF3 73 | 73 | 5 | 1462051-7 |
| 17 | HF3 73S | 73S | 5 | 2-1462051-7 |
| 18 | HF3 74 | 74 | 6 | 1-1462051-9 |

2007

RELEASED FOR PUBLICATION

ALL RIGHTS RESERVED.

THIS DRAWING IS UNPUBLISHED.

COPYRIGHT 2007



| | | | | | | |
|--|------------------|-----------|------------------|-----------|--------------|---------------|
| DIMENSIONS: mm | DWN UKo 9193 | 04APR2007 | MATERIAL | - | FINISH | - |
| | CHK HD 9121 | 04APR2007 | TE Connectivity | | | |
| TOLERANCES UNLESS OTHERWISE SPECIFIED: DIN 7168-m | APVD HD 9121 | 04APR2007 | | | | |
| 0 PLC ±- | PRODUCT SPEC | - | HF3-Relay 50Ω | | | |
| 1 PLC ±- | APPLICATION SPEC | - | Marking | | | |
| 2 PLC ±- | WEIGHT | - | SIZE | CAGE CODE | DRAWING NO | RESTRICTED TO |
| 3 PLC ±- | | | A4 | 00779 | C- 1462051-1 | - |
| 4 PLC ±- | | | CUSTOMER DRAWING | | | |
| ANGLES ±- | | | SCALE | SHEET | OF | REV |
| | | | 5:1 | 1 | 2 | C1 |

| LOC | DIST | REVISIONS | | | | | |
|-----|------|-----------|-----|-------------|------|-----|------|
| | | P | LTR | DESCRIPTION | DATE | DWN | APVD |
| HJ | - | - | - | SEE SHEET 1 | - | - | - |
| | | | | | | | |
| | | | | | | | |

| Pos. | Relay-Typ | Mark 1) | Mark 2) | PN |
|------|-----------|---------|---------|-------------|
| 19 | HF3 75 | 75 | 9 | 1462051-8 |
| 20 | HF3 76 | 76 | 12 | 1462051-9 |
| 21 | HF3 77 | 77 | 24 | 1-1462051-0 |
| 22 | HF3 91 | 91 | 3 | 1-1462051-1 |
| 23 | HF3 91S | 91S | 3 | 3-1462051-2 |
| 24 | HF3 91R | 91R | 3 | 3-1462051-7 |
| 25 | HF3 92 | 92 | 4.5 | 2-1462051-0 |
| 26 | HF3 92S | 92S | 4.5 | 2-1462051-5 |
| 27 | HF3 93 | 93 | 5 | 1-1462051-2 |
| 28 | HF3 93S | 93S | 5 | 2-1462051-4 |
| 29 | HF3 93R | 93R | 5 | 3-1462051-5 |
| 30 | HF3 94 | 94 | 6 | 2-1462051-1 |
| 31 | HF3 95 | 95 | 9 | 1-1462051-3 |
| 32 | HF3 96 | 96 | 12 | 1-1462051-4 |
| 33 | HF3 96S | 96S | 12 | 2-1462051-6 |
| 34 | HF3 96R | 96R | 12 | 3-1462051-6 |
| 35 | HF3 97 | 97 | 24 | 1-1462051-5 |
| | | | | |
| | | | | |
| | | | | |
| | | | | |
| | | | | |
| | | | | |
| | | | | |
| | | | | |
| | | | | |
| | | | | |
| | | | | |
| | | | | |
| | | | | |
| | | | | |
| | | | | |
| | | | | |


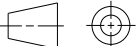
2007

RELEASED FOR PUBLICATION

THIS DRAWING IS UNPUBLISHED.

ALL RIGHTS RESERVED.

© COPYRIGHT 2007

| | | | |
|--|------------------------|--|-------------------------------|
| DIMENSIONS: mm TOLERANCES UNLESS OTHERWISE SPECIFIED: DIN 7168-m 0 PLC ±- 1 PLC ±- 2 PLC ±- 3 PLC ±- 4 PLC ±- ANGLES ±- | DWN UKo 9193 04APR2007 | MATERIAL - | FINISH - |
| | CHK HD 9121 04APR2007 |  TE Connectivity | |
| | APVD HD 9121 04APR2007 | | |
| | PRODUCT SPEC - | NAME HF3-Relay 50Ω Marking | |
| APPLICATION SPEC - | SIZE A4 | CAGE CODE 00779 | DRAWING NO C- 1462051-1 |
| WEIGHT - | RESTRICTED TO - | | |
|  | CUSTOMER DRAWING | | SCALE 5:1 SHEET 2 OF 2 REV C1 |